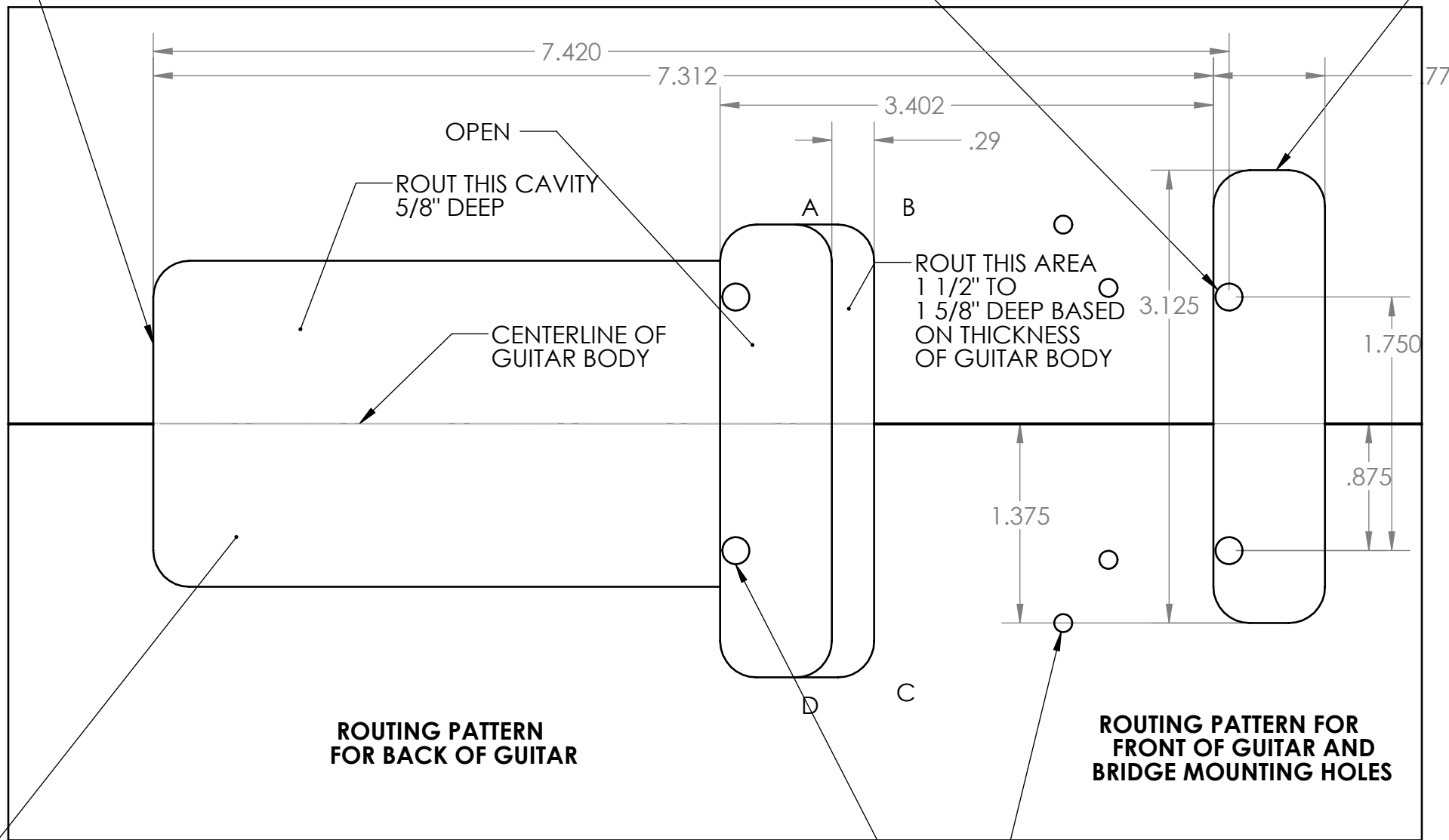


STEP 1: LINE THIS EDGE UP WITH THE BOTTOM OF THE NECK POCKET THEN CENTER THE TEMPLATE ON THE BODY OF THE GUITAR AND TAPE IN PLACE.

STEP 2: DRILL TWO 3/16" HOLES COMPLETELY THROUGH THE GUITAR BODY AS SHOWN.

STEP 3: ALIGN THE PLASTIC TEMPLATE WITH PAPER TEMPLATE, TAPE IN PLACE THEN ROUT THIS POCKET ABOUT 1 1/2" DEEP.



STEP 6: ROUT SPRING CAVITY 5/8" DEEP THEN ROUT THE STEP IN THE TONE BLOCK CAVITY APPROXIMATELY 1 5/8" DEEP.

STEP 5: ALIGN THE PAPER TEMPLATE ON THE BACK OF THE GUITAR USING THE TWO 3/16" DIA. PILOT HOLES

STEP 4: DRILL BRIDGE MOUNTING HOLES WITH 3/32" DIA. DRILL

FOR MORE INFORMATION AND INSTRUCTIONAL VIDEOS PLEASE VISIT OUR WEB-SITE: www.super-vee.com
ROUTING TEMPLATE FOR MAVERICK BRIDGE